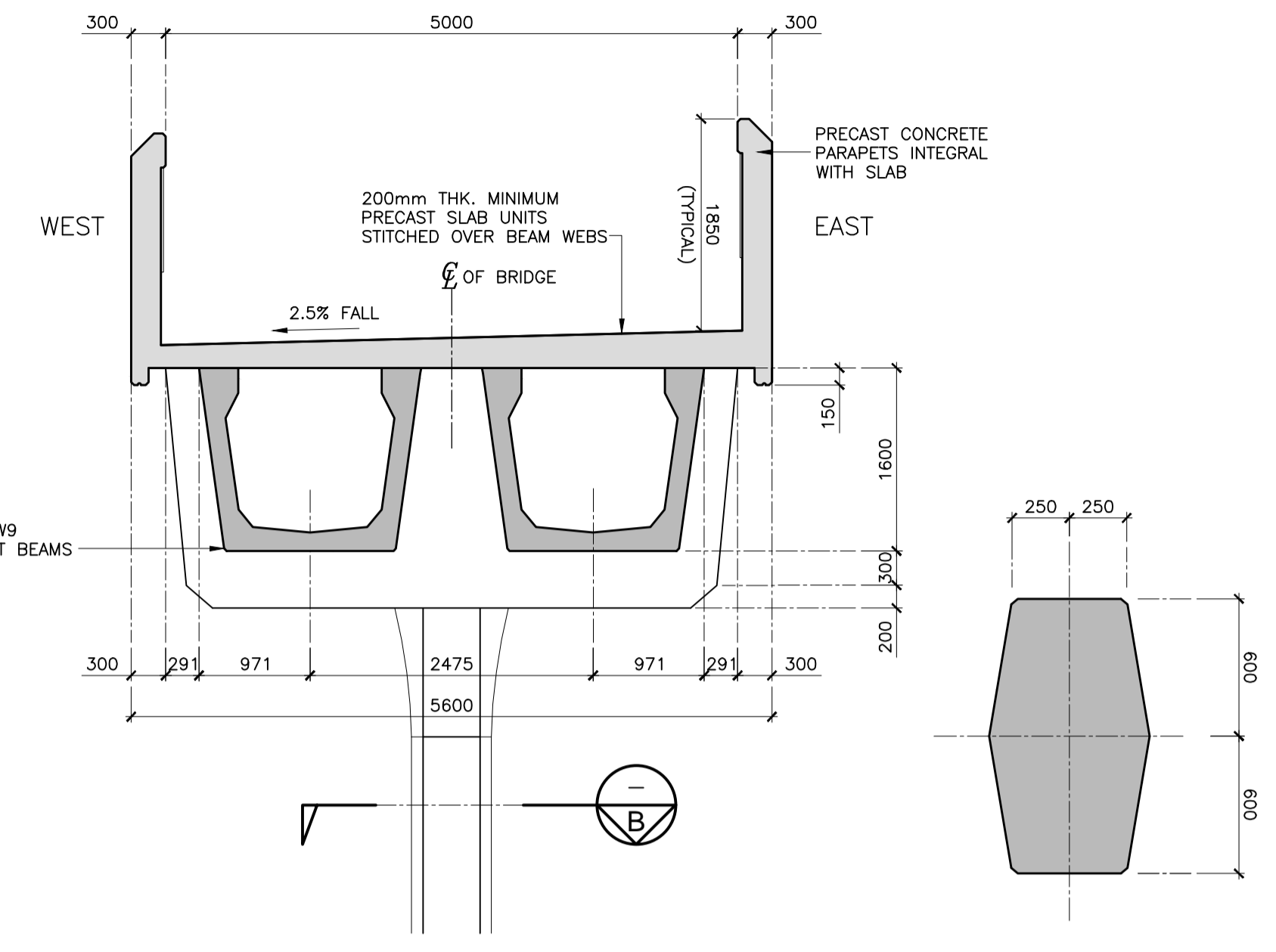


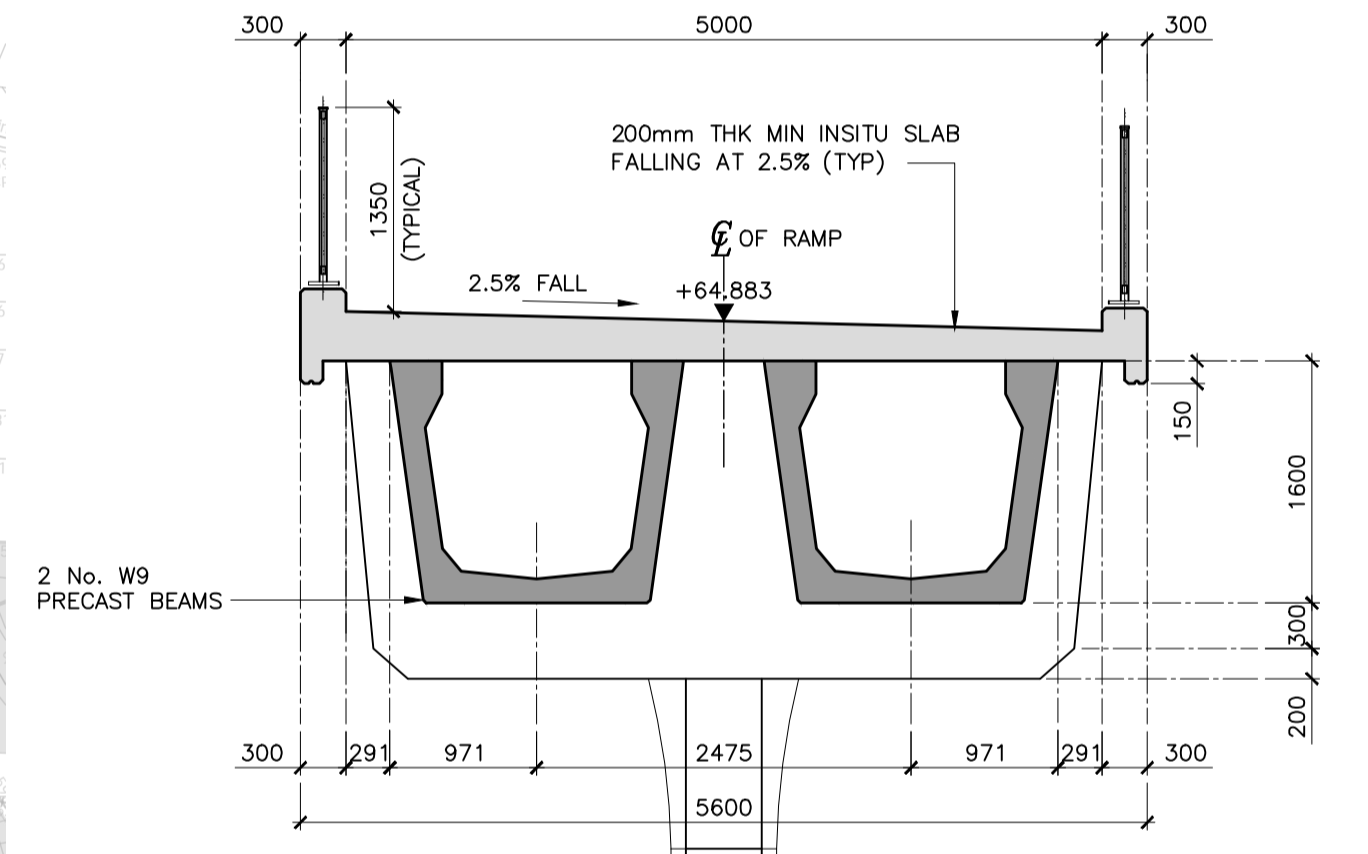
**CLONSILLA FOOTBRIDGE PLAN**  
 A1 SCALE 1:250  
 A3 SCALE 1:500

- NOTES:**
1. ALL DIMENSIONS IN MILLIMETERS, UNLESS OTHERWISE NOTED.
  2. ALL LEVELS ARE IN METRES TO ORDNANCE DATUM MALIN HEAD.
  3. ALL CO-ORDINATES ARE IN METRES TO IRISH TRANSVERSE MERCATOR (ITM).
  4. FINAL FOUNDATION DESIGN TO BE CONFIRMED FOLLOWING DETAILED GEOTECHNICAL INVESTIGATION
  5. ALL LEVELS TO BE REVIEWED FOLLOWING DETAILED TOPOGRAPHICAL SURVEY.

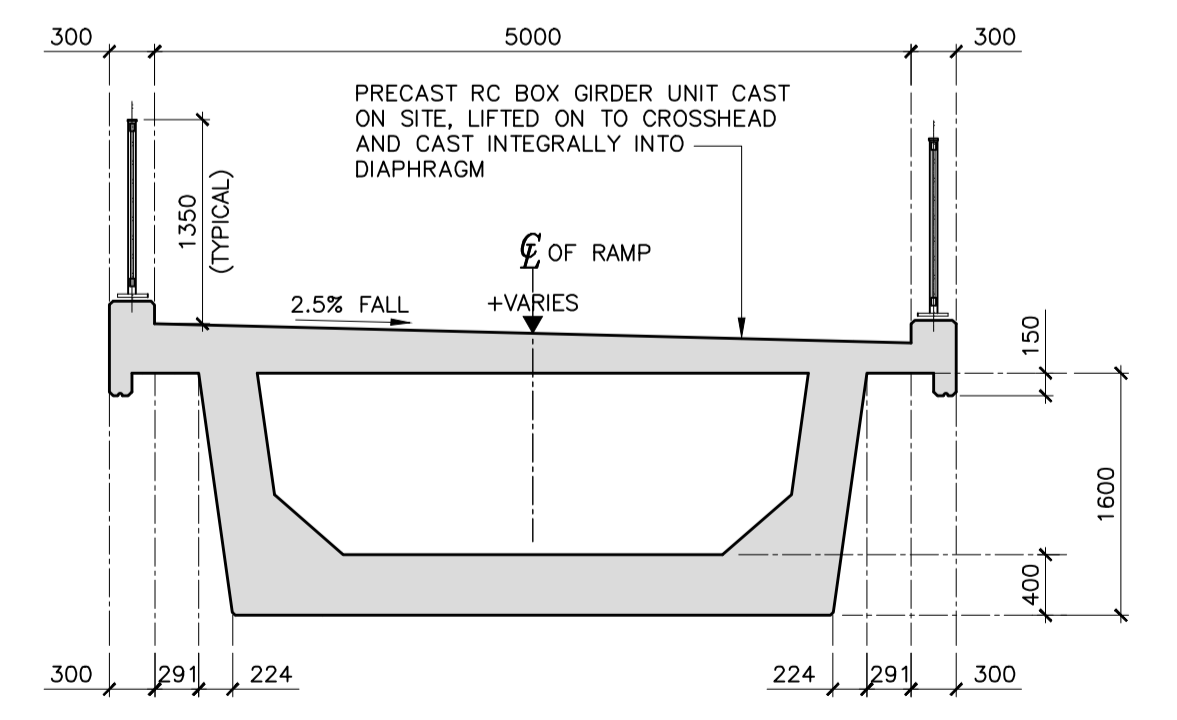


**SECTION A**  
 A1 SCALE 1:50  
 A3 SCALE 1:100

**SECTION B**  
 A1 SCALE 1:25  
 A3 SCALE 1:50



**SECTION F**  
 A1 SCALE 1:50  
 A3 SCALE 1:100



**SECTION G**  
 A1 SCALE 1:50  
 A3 SCALE 1:100

V 02					
V 01	May 2021	Public Consultation	AR	LC	MK
REV.	DATE	DESCRIPTION	PRODUCED BY	REVIEWED BY	APPROVED BY

© Irish Rail (2021). This drawing is confidential and the copyright in it is owned by Irish Rail. This drawing must not be either loaned, copied or otherwise reproduced in whole or in part or used for any purpose without the prior permission of Irish Rail.  
 © Ordnance Survey Ireland and Government of Ireland. All O.S. data used for plans are printed under "Copyright Ordnance Survey Ireland".  
 Survey No. 0039721 (OSi Aerial Data or OSi Lidar Data) & Survey No. 2021081\_NMA\_190 (OSi Vector Data).  
 All elevations are in metres and relate to OSi Geoid Model (OSGM02) Malin Head as defined by existing Project Control.  
 All Co-ordinates are in Irish Transverse Mercator Grid (ITM) as defined by OSi active GPS station Tallaght College (TLG0).

Client

Tionscald Éireann  
 Project Ireland  
 2040

NTA  
 Údaráis Náisiúnta Iompar  
 National Transport Authority

Iarnród Éireann  
 Irish Rail

Consultant

IDOM

C3

PROJOD  
 RUGGIAN & O'DONOVAN

Project

DART+  
 West

Drawing Title

OPTIONS SELECTION - LC04: CLONSILLA - OPTION 1  
 PEDESTRIAN, CYCLE AND MOBILITY IMPAIRED BRIDGE  
 GENERAL ARRANGEMENT SHEET 1 of 3

Scale: 1:250 @ A1

Drawing Number | Project | Originator | Discipline | Location | Type | Role | Number | Phase  
 MAY ROD STR LC04 DR C 0201 B

Date: May 2021 | Job No: P/101086 | Status: S4- Suitable For Acceptance | Rev: V 02 | Sheet: 1 of 3