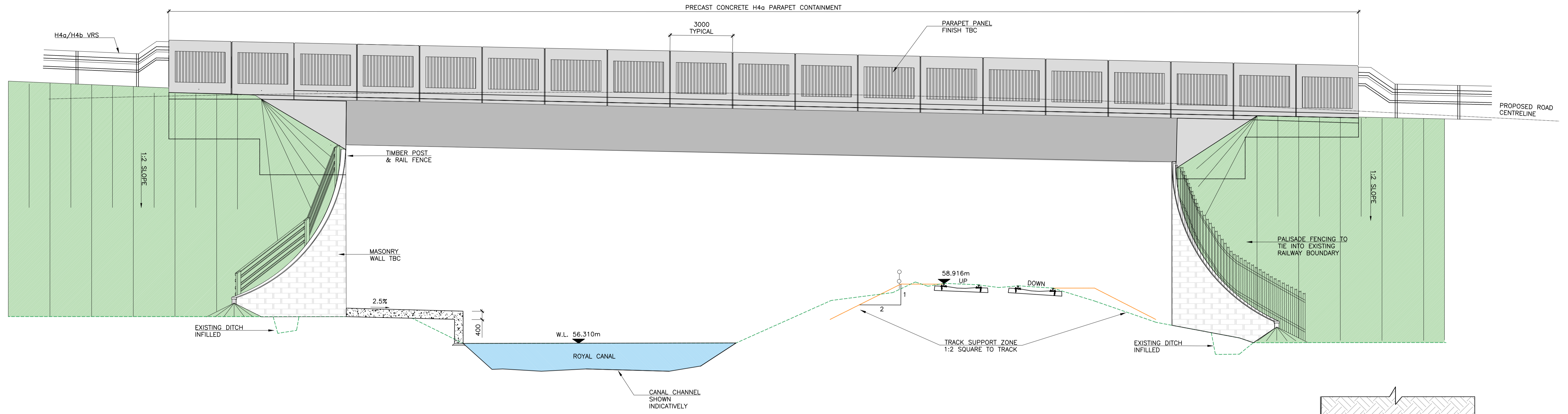
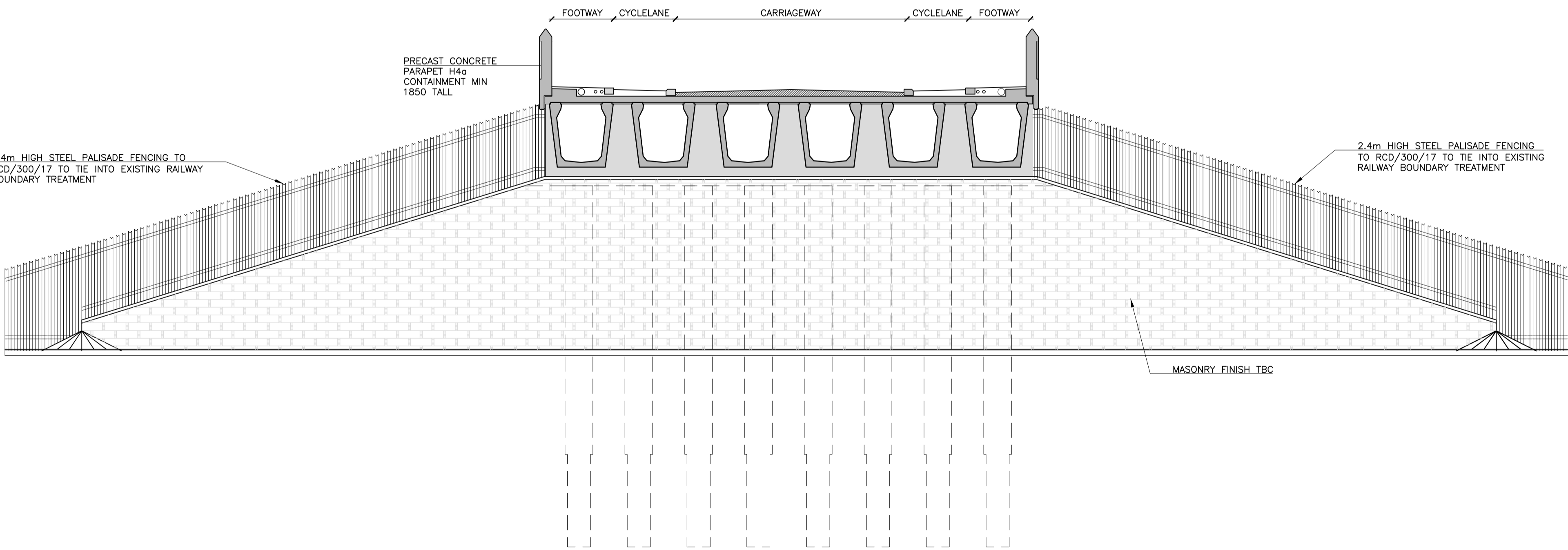


NOTES

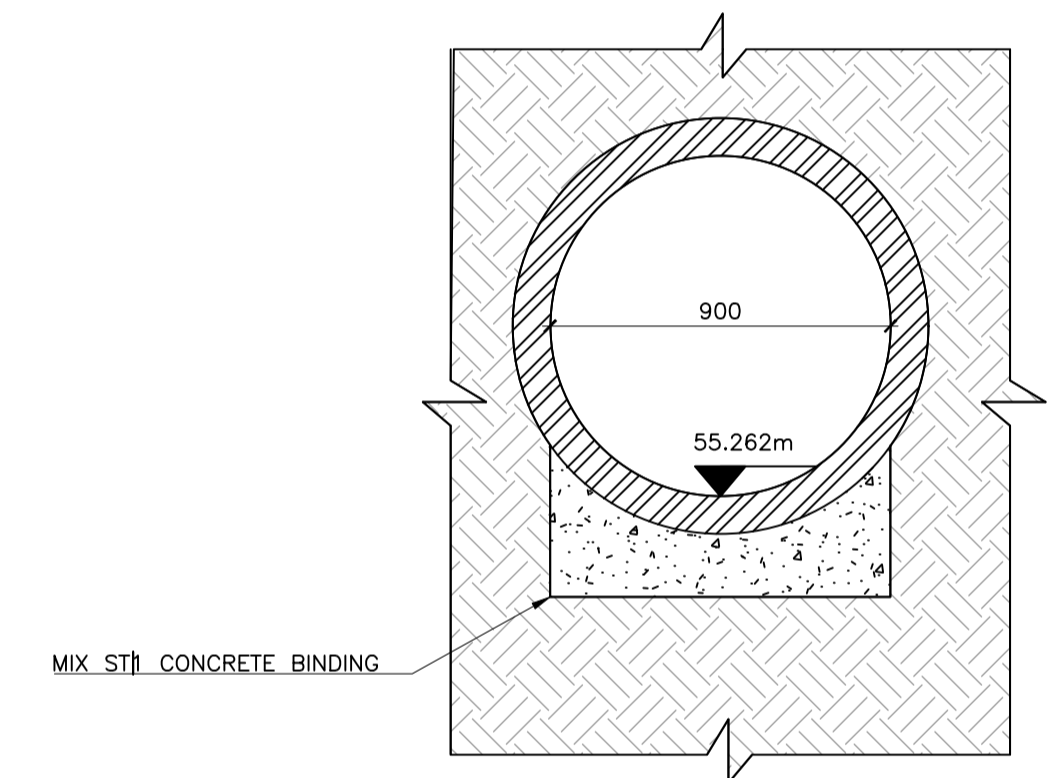
1. ALL DIMENSIONS ARE IN MILLIMETRES UNLESS NOTED OTHERWISE
2. ALL CHAINAGES ARE IN METRES
3. ALL LEVELS IN METRES ABOVE ORDNANCE DATUM MALIN



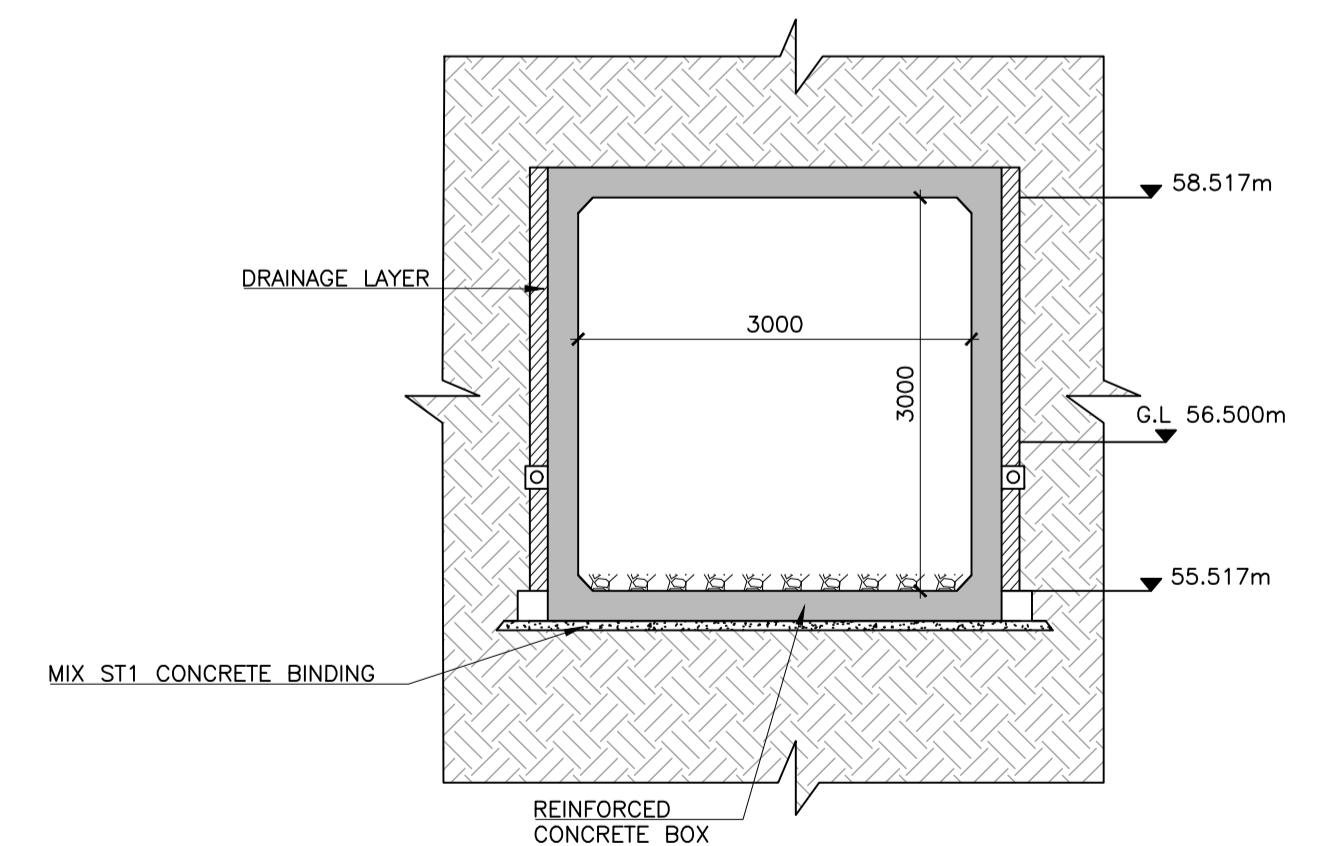
SOUTHERN ELEVATION
SCALE 1:100 A1
SCALE 1:200 A3



ELEVATION ON REINFORCED EARTH WALL
SCALE 1:100 A1
SCALE 1:200 A3



SECTION D-D PIPED CULVERT CROSS SECTION
SCALE 1:20 A1
SCALE 1:40 A3



SECTION C-C BOX CULVERT CROSS SECTION
SCALE 1:50 A1
SCALE 1:100 A3

REV	DATE	DESCRIPTION	IT	TL	MK
V01	May 2021	PUBLIC CONSULTATION			
PRODUCED BY			REVIEWED BY		
APPROVED BY					

© Irish Rail (2021). This drawing is confidential and the copyright in it is owned by Irish Rail. This drawing must not be either loaned, copied or otherwise reproduced in whole or in part or used for any purpose without the prior permission of Irish Rail.
© Ordnance Survey Ireland and Government of Ireland. All O.S. data used for plans are printed under "Copyright Ordnance Survey Ireland".
Survey No. 0039721 (OSI Aerial Data or OSi Lidar Data) & Survey No. 2021081_NMA_180 (OSi Vector Data).
All elevations are in metres and relate to OSi Geoid Model (OSGM02) Malin Head as defined by existing Project Control.
All Co-ordinates are in Irish Transverse Mercator Grid (ITM) as defined by OSi active GPS station Tallaght College (TLLO).

Client

Consultant

Project

Drawing Title

**BARBERSTOWN BRIDGE - OPTIONS SELECTION - OPTION 1
GENERAL ARRANGEMENT - ELEVATIONS
SHEET 2 OF 3**

Scale: 1:100 @ A1

Drawing Number | Project | Originator | Discipline | Location | Type | Role | Number | Phase
MAY ROD STR LC05 DR C 0202 B

Date: May 2021 | Job No: P/101086 | Status: S4 - Suitable for Acceptance | Rev: V 01 | Sheet: 02 of 03