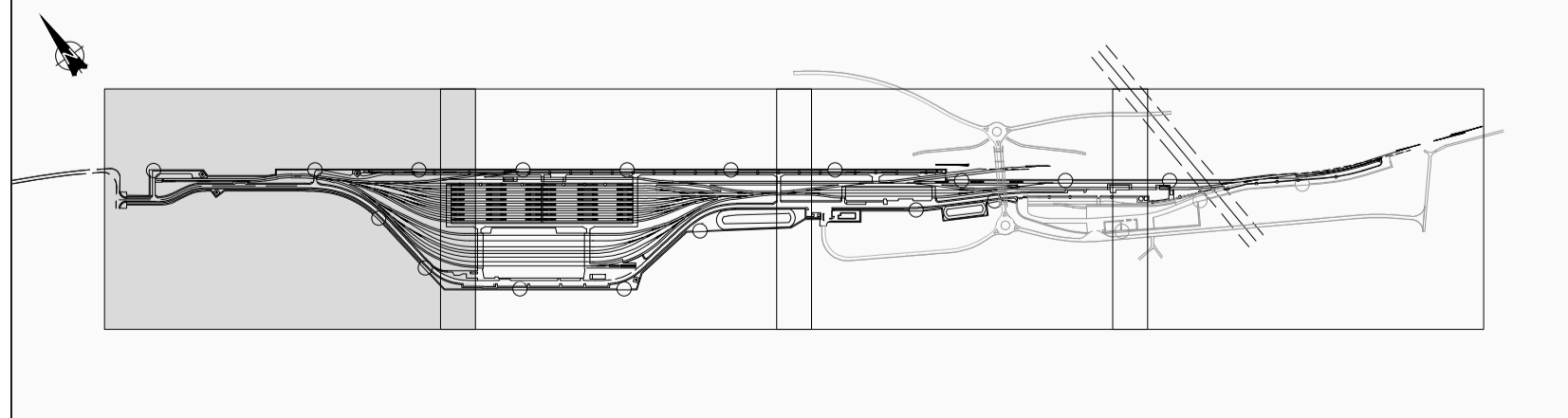


LEGEND:

	ASPHALT
	CONCRETE
	BALLAST TRACK
	SIDEWALK
	GREENFIELD
	BUILDING
	PLATFORM
	EXTERNAL FENCE
	POND
	TREES



V 01	May 2021	PUBLIC CONSULTATION	IMT	CCH	TMK
REV.	DATE	DESCRIPTION	PRODUCED BY	REVIEWED BY	APPROVED BY

© Irish Rail (2021). This drawing is confidential and the copyright in it is owned by Irish Rail. This drawing must not be either loaned, copied or otherwise reproduced in whole or in part or used for any purpose without the prior permission of Irish Rail.
 © Ordnance Survey Ireland and Government of Ireland. All O.S. data used for plans are printed under "Copyright Ordnance Survey Ireland".
 Survey No. 0039720 (OSi Aerial Data or OSi Lidar Data) & Survey No. 2021081_NMA_180 (OSi Vector Data).
 All elevations are in metres and relate to OSi Geoid Model (OSGM02) Malin Head as defined by existing Project Control.
 All Co-ordinates are in Irish Transverse Mercator Grid (ITM) as defined by OSi active GPS station Tallaght College (TLLG).

Client

Tionscatal Éireann
Project Ireland
2040

NTA
Udarás Náisiúnta Iompair
National Transport Authority

Iarnród Éireann
Irish Rail

Consultant

IDOM

G3

PROD

ROUGHAN & O'DONOVAN

Project

DART+
West

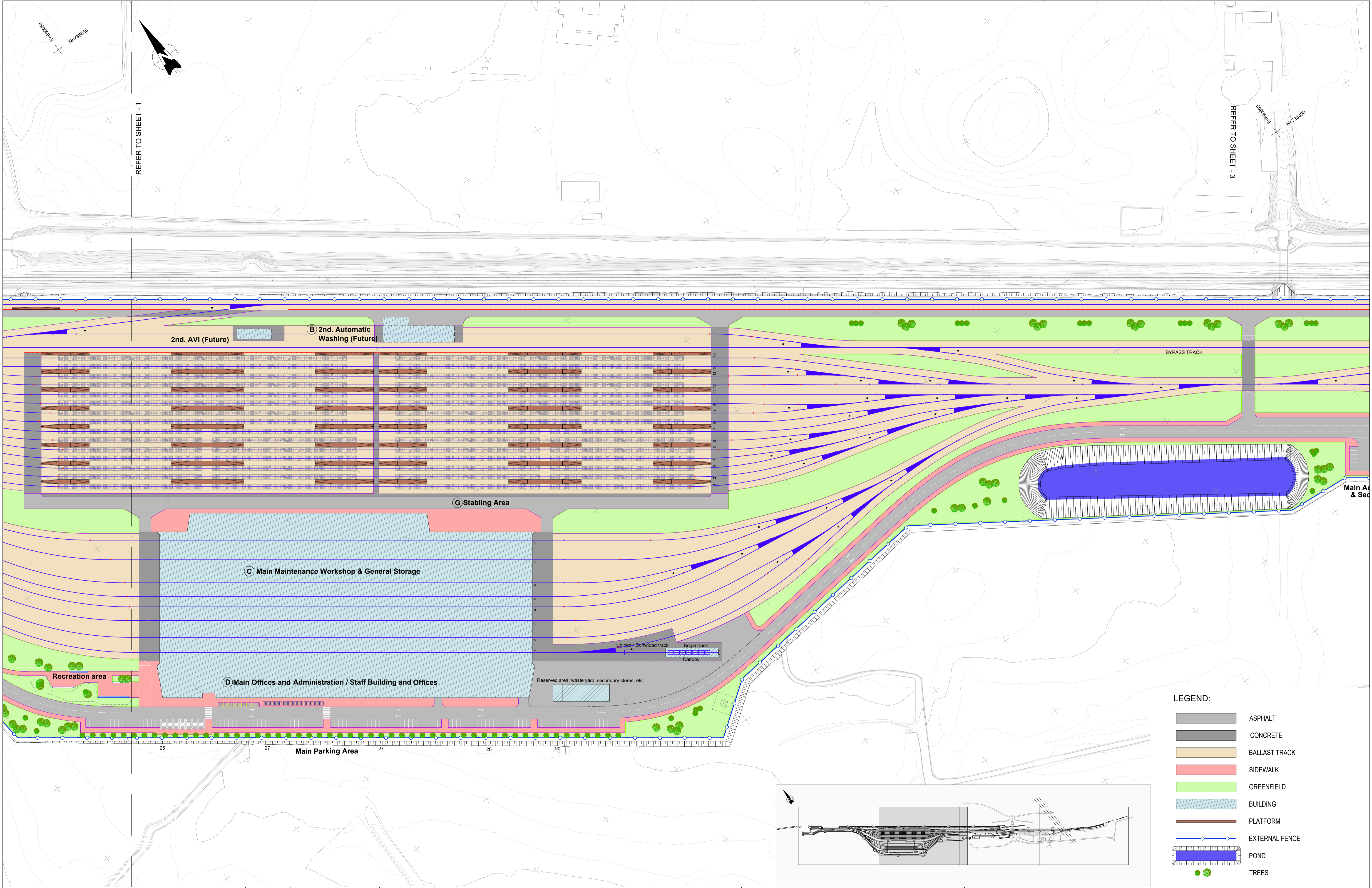
Drawing Title

DEPOT CIVIL DESIGN
GENERAL ARRANGEMENT
LANDSCAPING

Scale: 1:1000 @ A1

Drawing Number | Project | Originator | Discipline | Location | Type | Role | Number | Phase
MAY MDC CIV DEPM DR Y 0005 B

Date: May 2021 | Job No: P/101086 | Status: S4 Suitable for Acceptance | Rev: V 01 | Sheet: 1 of 4



V 01	May 2021	PUBLIC CONSULTATION	IMT	CCH	TMK
REV.	DATE	DESCRIPTION	PRODUCED BY	REVIEWED BY	APPROVED BY

© Irish Rail (2021). This drawing is confidential and the copyright in it is owned by Irish Rail. This drawing must not be either loaned, copied or otherwise reproduced in whole or in part or used for any purpose without the prior permission of Irish Rail.
 © Ordnance Survey Ireland and Government of Ireland. All O.S. data used for plans are printed under "Copyright Ordnance Survey Ireland".
 Survey No. 0039720 (OSi Aerial Data or OSi Lidar Data) & Survey No. 2021081_NMA_100 (OSi Vector Data).
 All elevations are in metres and relate to OSi Geoid Model (OSGM02) Malin Head as defined by existing Project Control.
 All Co-ordinates are in Irish Transverse Mercator Grid (ITM) as defined by OSi active GPS station Tallaght College (TLLG).

Client

Tionscatal Éireann
Project Ireland
2040

NTA
Udarás Náisiúnta Iompair
National Transport Authority

Iarnród Éireann
Irish Rail

Consultant

IDOM

G3

PROJOD
ROUGHAN & O'DONOVAN

Project

DART+
West

Drawing Title

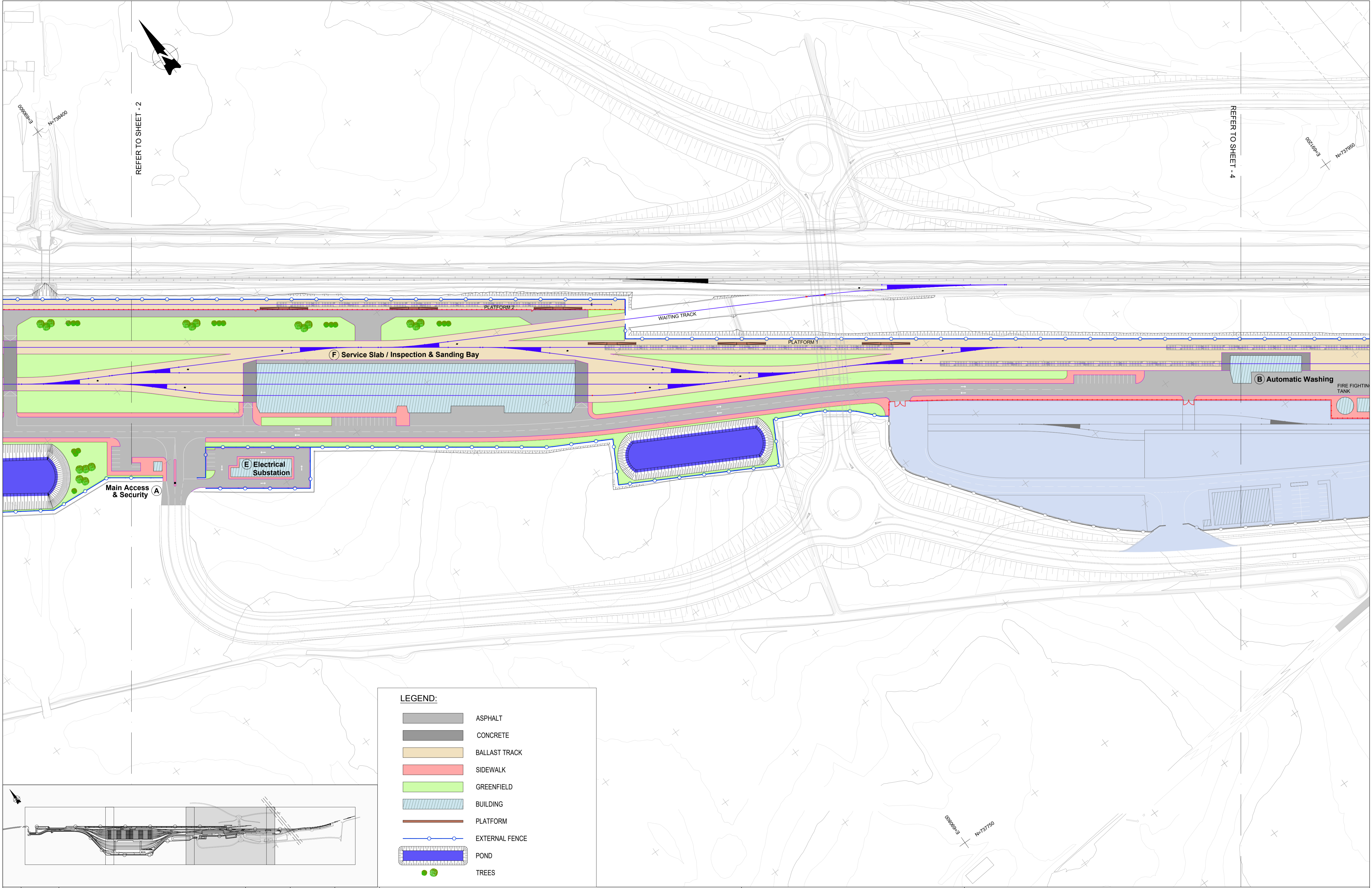
DEPOT CIVIL DESIGN
GENERAL ARRANGEMENT
LANDSCAPING

Drawing Number | Project | Originator | Discipline | Location | Type | Role | Number | Phase
MAY MDC CIV DEPM DR Y 0005 B

Date: May 2021 | Job No: P/101086 | Status: S4 Suitable for Acceptance | Rev: V 01 | Sheet: 2 of 4

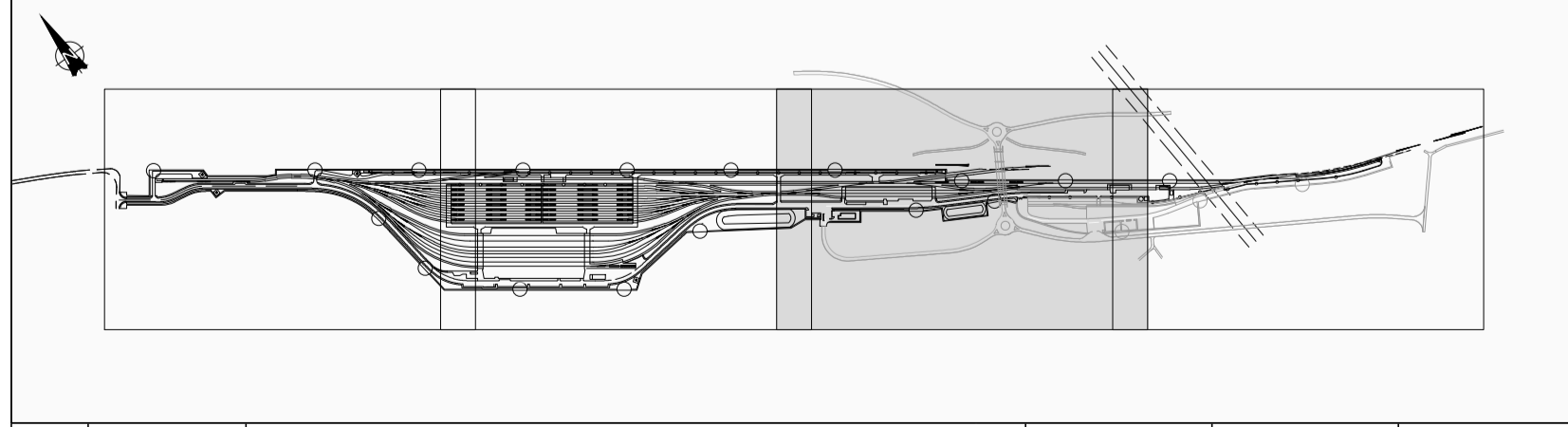
Scale: 1:1000 @ A1

0 5 12.5 25 50



LEGEND:

- ASPHALT
- CONCRETE
- BALLAST TRACK
- SIDEWALK
- GREENFIELD
- BUILDING
- PLATFORM
- EXTERNAL FENCE
- POND
- TREES



V 01	May 2021	PUBLIC CONSULTATION	IMT	CCH	TMK
REV.	DATE	DESCRIPTION	PRODUCED BY	REVIEWED BY	APPROVED BY

© Irish Rail (2021). This drawing is confidential and the copyright in it is owned by Irish Rail. This drawing must not be either loaned, copied or otherwise reproduced in whole or in part or used for any purpose without the prior permission of Irish Rail.
 © Ordnance Survey Ireland and Government of Ireland. All O.S. data used for plans are printed under "Copyright Ordnance Survey Ireland".
 Survey No. 0039720 (OSi Aerial Data or OSi Lidar Data) & Survey No. 2021081_NMA_100 (OSi Vector Data).
 All elevations are in metres and relate to OSi Geoid Model (OSGM02) Mean Head as defined by existing Project Control.
 All Co-ordinates are in Irish Transverse Mercator Grid (ITM) as defined by OSi active GPS station Tallaght College (TLLG).

Client

Consultant

Project

Drawing Title

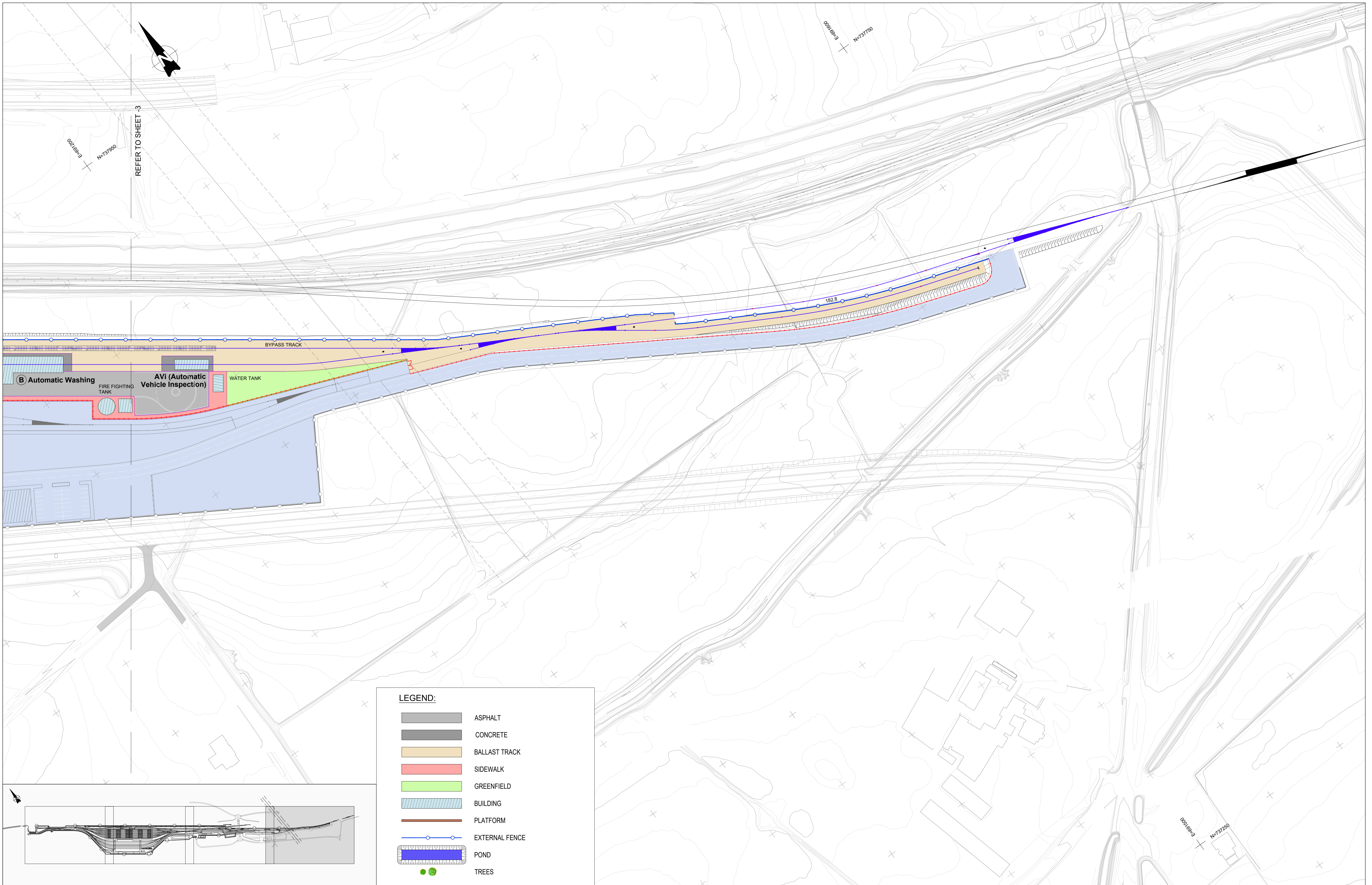
**DEPOT CIVIL DESIGN
GENERAL ARRANGEMENT
LANDSCAPING**

Scale: 1:1000 @ A1

Drawing Number	Project	Originator	Discipline	Location	Type	Role	Number	Phase
MAY MDC	CIV	DEPM	DR	Y	0005	B		

Date:	Job No:	Status:	Rev:
May 2021	P/101086	S4 Suitable for Acceptance	V 01

Sheet: 3 of 4



LEGEND:

	ASPHALT
	CONCRETE
	BALLAST TRACK
	SIDEWALK
	GREENFIELD
	BUILDING
	PLATFORM
	EXTERNAL FENCE
	POND
	TREES

V 01	May 2021	PUBLIC CONSULTATION	IMT	CCH	TMK
REV.	DATE	DESCRIPTION	PRODUCED BY	REVIEWED BY	APPROVED BY

© Irish Rail (2021). This drawing is confidential and the copyright in it is owned by Irish Rail. This drawing must not be either loaned, copied or otherwise reproduced in whole or in part or used for any purpose without the prior permission of Irish Rail.
 © Ordnance Survey Ireland and Government of Ireland. All O.S. data used for plans are printed under "Copyright Ordnance Survey Ireland".
 Survey No. 0039720 (OSI Aerial Data or OSI Lidar Data) & Survey No. 2021081_NMA_100 (OSI Vector Data).
 All elevations are in metres and relate to OSI Geoid Model (OSGM02) Malin Head as defined by existing Project Control.
 All Co-ordinates are in Irish Transverse Mercator Grid (ITM) as defined by OSI active GPS station Tallaght College (TLG).

Client

Tionscatal Éireann
Project Ireland
2040

NTA
Udarás Náisiúnta Iompair
National Transport Authority

Iarnród Éireann
Irish Rail

Consultant

IDOM

G3

PROJOD
ROUGHAN & O'DONOVAN

Project

DART+
West

Drawing Title

DEPOT CIVIL DESIGN
GENERAL ARRANGEMENT
LANDSCAPING

Scale:
1:1000 @ A1

Drawing Number | Project | Originator | Discipline | Location | Type | Role | Number | Phase
MAY MDC CIV DEPM DR Y 0005 B

Date: May 2021 | Job No: P/101086 | Status: S4 Suitable for Acceptance | Rev: V 01 | Sheet: 4 of 4