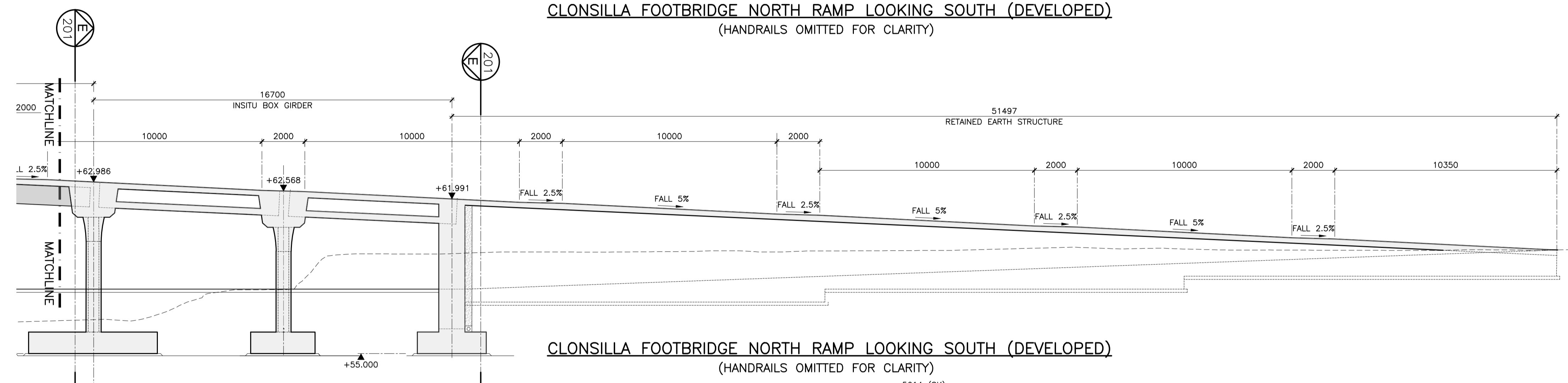
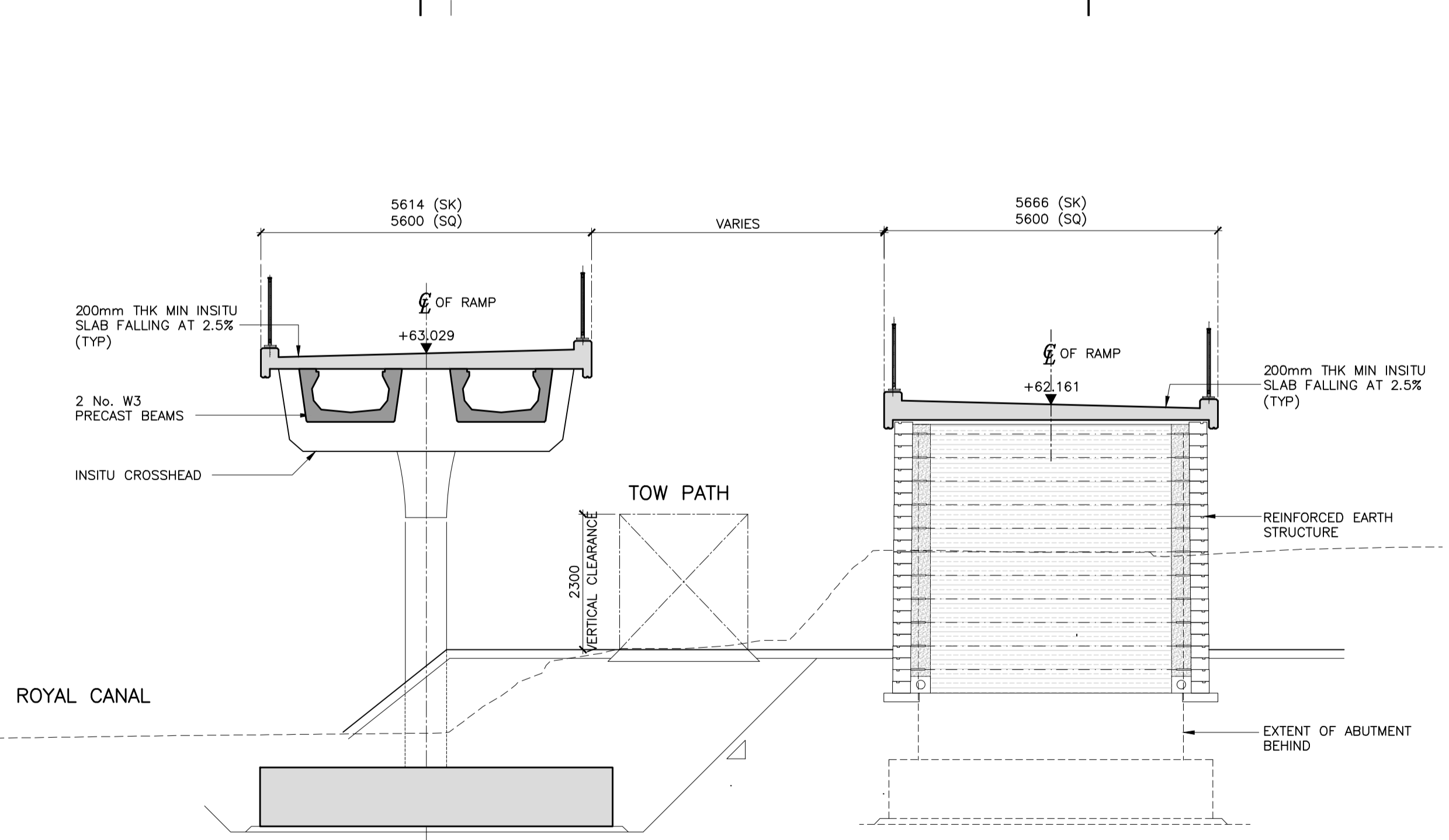


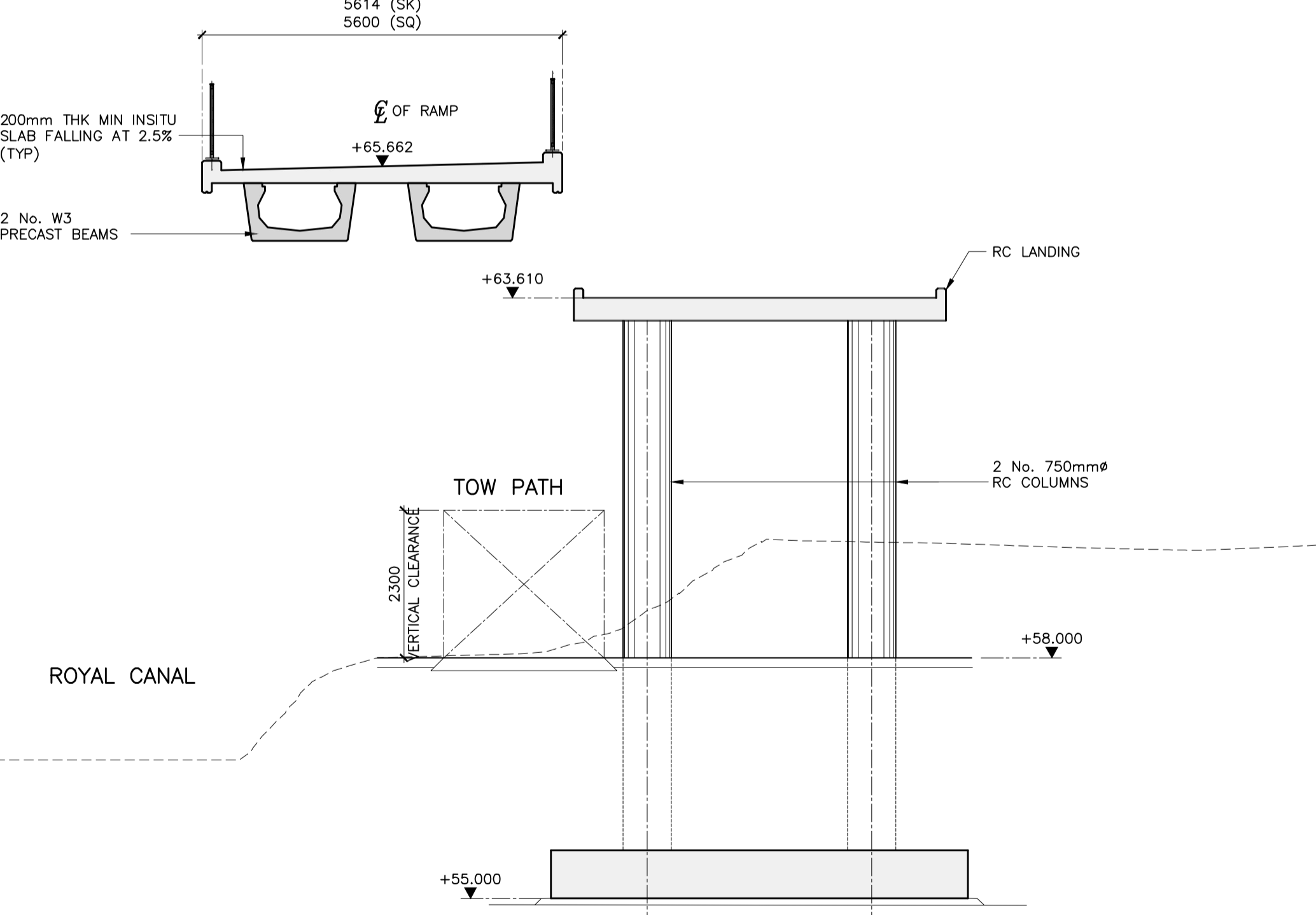
CLONSILLA FOOTBRIDGE NORTH RAMP LOOKING SOUTH (DEVELOPED)
(HANDRAILS OMITTED FOR CLARITY)



CLONSILLA FOOTBRIDGE NORTH RAMP LOOKING SOUTH (DEVELOPED)
(HANDRAILS OMITTED FOR CLARITY)



SECTION E
A1 SCALE 1:75
A3 SCALE 1:150



SECTION H
A1 SCALE 1:75
A3 SCALE 1:150

- NOTES:
1. ALL DIMENSIONS IN MILLIMETERS, UNLESS OTHERWISE NOTED.
 2. ALL LEVELS ARE IN METRES TO ORDNANCE DATUM MALIN HEAD.
 3. ALL CO-ORDINATES ARE IN METRES TO IRISH TRANSVERSE MERCATOR (ITM).
 4. FINAL FOUNDATION DESIGN TO BE CONFIRMED FOLLOWING DETAILED GEOTECHNICAL INVESTIGATION
 5. ALL LEVELS TO BE REVIEWED FOLLOWING DETAILED TOPOGRAPHICAL SURVEY.

REV	DATE	DESCRIPTION	AR	LC	MK
V 02					
V 01	May 2021	Public Consultation			
© Irish Rail (2021). This drawing is confidential and the copyright in it is owned by Irish Rail. This drawing must not be either loaned, copied or otherwise reproduced in whole or in part or used for any purpose without the prior permission of Irish Rail. © Ordnance Survey Ireland and Government of Ireland. All O.S. data used for plans are printed under "Copyright Ordnance Survey Ireland". Survey No. 0039721 (OSI Aerial Data or OSI Lidar Data) & Survey No. 2021/081_NMA_100 (OSI Vector Data). All elevations are in metres and relate to OSI Geoid Model (OSGM02) Malin Head as defined by existing Project Control. All Co-ordinates are in Irish Transverse Mercator Grid (ITM) as defined by OSI active GPS station Tallaght College (TLG0).					

Client

Tionscald Éireann
Project Ireland
2040

NTA
Údarás Náisiúnta Iompair
National Transport Authority

Iarnród Éireann
Irish Rail

Consultant

IDOM

G3

PROJ ROD
RÓDGHIAN & O'DONOVAN

Project

DART+
West

Drawing Title

OPTIONS SELECTION - LC04: CLONSILLA - OPTION 1
PEDESTRIAN, CYCLE AND MOBILITY IMPAIRED BRIDGE
GENERAL ARRANGEMENT SHEET 3 of 3

Scale:
1:250 @ A1

Drawing Number | Project | Originator | Discipline | Location | Type | Role | Number | Phase
MAY ROD STR LC04 DR C 0203 B

Date: May 2021 | Job No: P/101086 | Status: S4- Suitable For Acceptance | Rev: V 02 | Sheet: 3 of 3